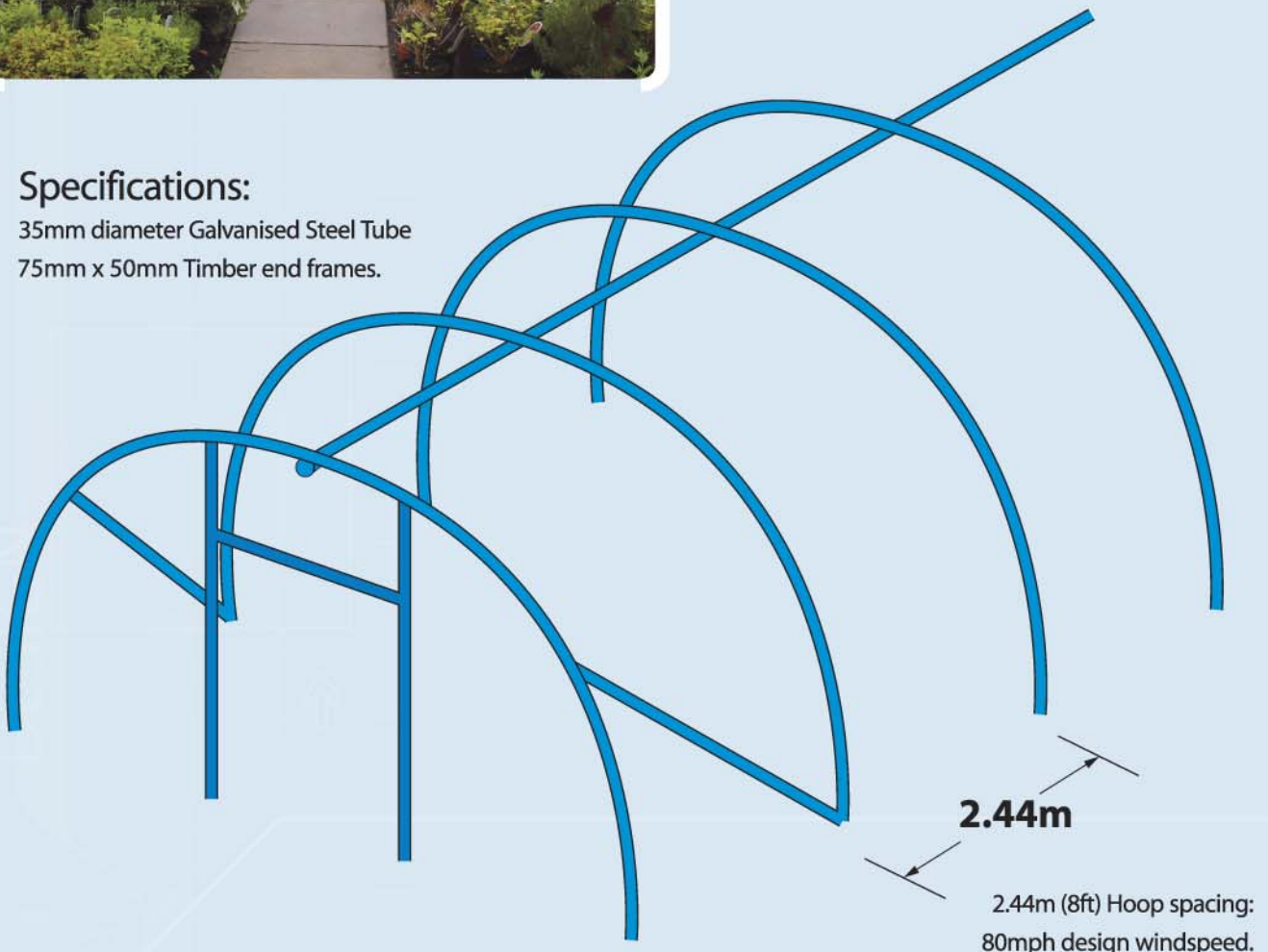


# [ Straight Sided **Solar Single Spans** ]



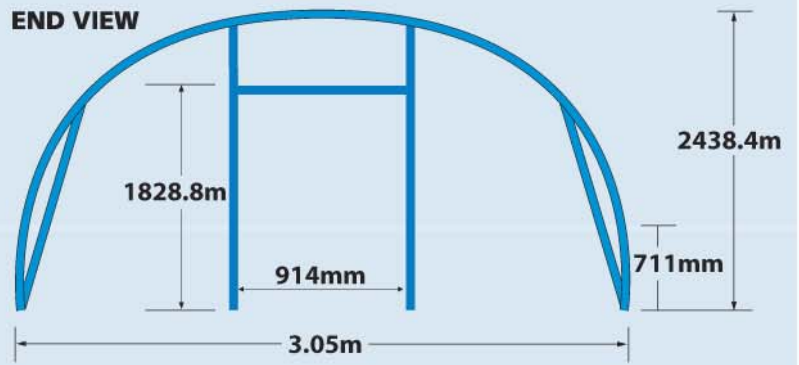
## Specifications:

35mm diameter Galvanised Steel Tube  
75mm x 50mm Timber end frames.



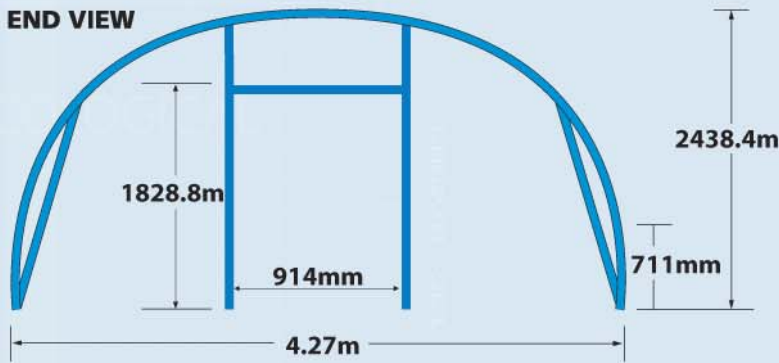
3.05m (10') wide

END VIEW



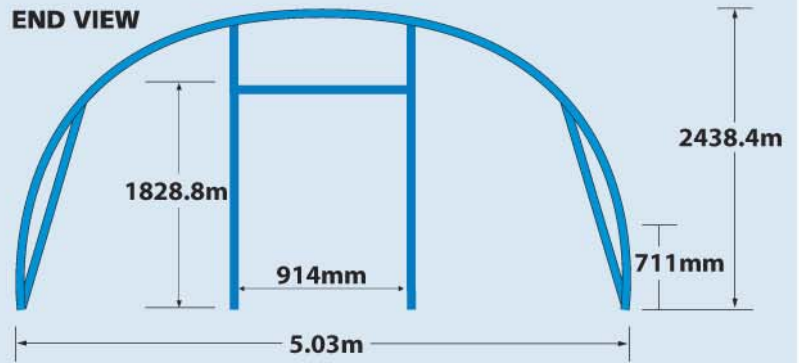
4.27m (14') wide

END VIEW



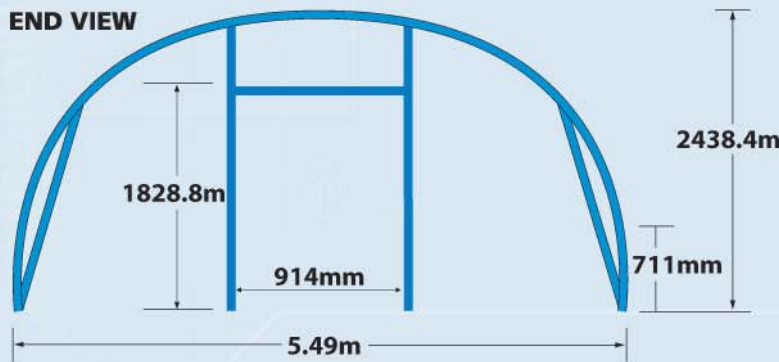
5.03m (16'6") wide

END VIEW



5.49m (18') wide

END VIEW



National Polytunnels Ltd, 4 Cable Court, Pittman Way,  
Fulwood, Preston, Lancashire PR2 9YW.  
Tel: 01772 799200 Fax: 01772 799250  
Email: sales@nationalpolytunnels.co.uk